

Tactical Pen - Executive

PK-TPE™ 



Specification

Model : PK-TPe-BK (Black) / PK-TPe-BL (Engineering Blue)
Body Structure : Highest grade of Aerospace Aluminum 7075 Series. CNC Mill Machined
Surface treatment : Electro-Polished then Nano-PVD (Physical vapor deposition) coated
Cap structure : Non-corrosive Stainless Steel Grade SUS 304 - Electro polished then Chrome Plated
Fuel : Fisher Pen Company® Space Pen Ink Cartridge (Supplied w/Cartridge Medium Black #SPR4)
Mechanism : Internal Spring-Load
Cover Cap + Body System : ACME Secrew Threaded
Body Diameter max. : >1.25" / 31.75mm
Total Pen Length : >5.0" / 129.5mm
Weight (Loaded w/cartridge) : >6.2 ounces / 176 grams
Package : Polymer capted box w/ sleeve marking - Owners Manual Included in box

Features

Extremely rigid structure - designed to claim the title of Ultimate Tactical Writing Tool
A Functional Art Instrument - Which is virtually indestructible due to the Super-Strength construction
Precision CNC Mill machined

Metal parts coated with ultimate robust NANO PVD (Physical vapor deposition) for EXTREME durability
Cartridges by Fisher Pen Company® space pen for smooth, effortless, reliable in any circumstances writing on almost any surface

The Super-hard Stainless Steel material of Cap-Cone / Rear-Tip is shaped / designed to maximize impact and resist deformation

Patent-pending advanced ergonomics - the bezel incut pattern scooped design provides an unprecedentedly comfortable, rock-solid secure grip

Patent-pending unique body cuts design allows for a superior anti-slip function with an inimitable sleek style

This rugged, tough, stylish tool will provide you with :

A functional incomparable writing experience

A tactical advantage in emergency situations

MSRP: US \$148



actual size

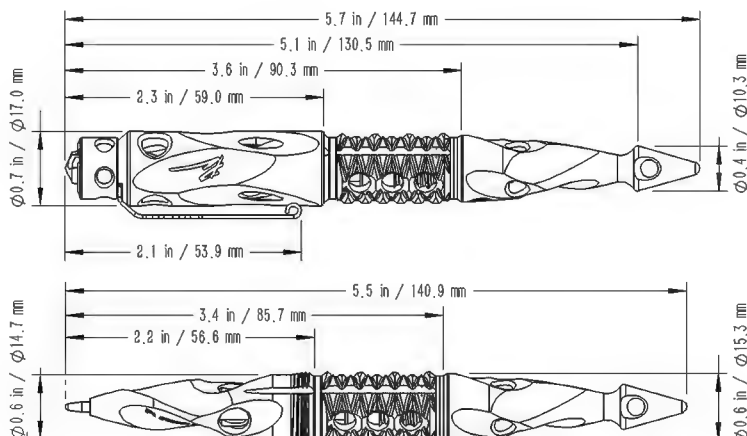


PK DESIGN LAB®
DESIGNED FOR CULTIVATED EXPECTATIONS

www.pkdesignlab.com

Tactical Pen - Executive

PK-TPE™ 



Package

Model : PK-TPE-BK (Black)
PK-TPE-BL (Engineering Blue)
Brown Box with clear see-thru window
White marking & Black color UPC code label
Width : 2.4" / 60.0 mm
Highth : 2.6" / 40.0 mm
Length : 7.9" / 200.0 mm
Weight : 2.7 Ounce / 76 gram

Warranty

PK DESIGN LAB offers a One-Year Warranty on products that are faulty, damaged or fail due to normal usage, Products that are in any way altered and/or disassembled by the consumer, other than by cartridge removal and/or exchange, or used in a manner that is beyond reasonable or the intended use are not covered by warranty.

Maintenance

Unscrew the pen body to open and insert new ink cartridge.
Clean the threads and oil the O-ring to maintain fine operations.
Recommend Fisher Pen Company® Space Pen Cartridges
For repair or replacement contact your dealer.
www.pkdesignlab.com / info@pkdesignlab.com / US 1-213-805-5511

Warning

This tool is designed to use with tactical gloves on, misuse may cause you physical injury.
This product is not intended for use as a drill bit.
Do not recommended to use orally or rectally.



PK DESIGN LAB



PK DESIGN LAB®
DESIGNED FOR CULTIVATED EXPECTATIONS

www.pkdesignlab.com